



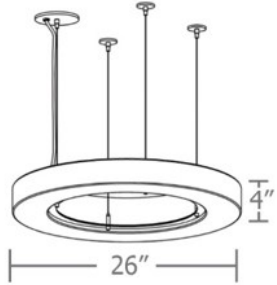
n.r.2oob™ 5-slider

your lighting rep has recommended the **n.r.2oob™** ring pendant for your project
Let's take a quick look:

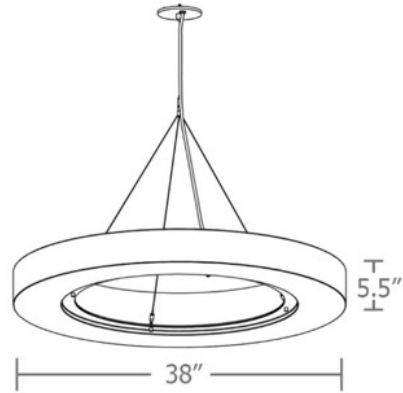


sizes and lumens

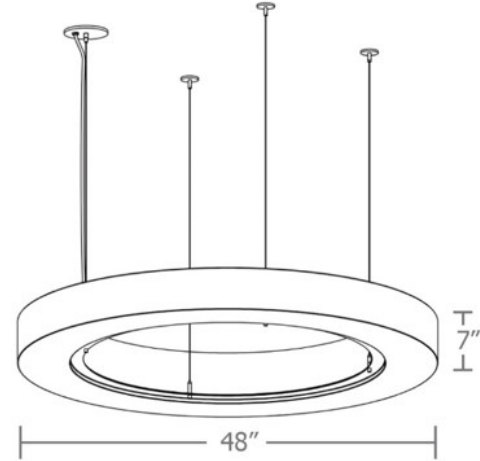
P6426



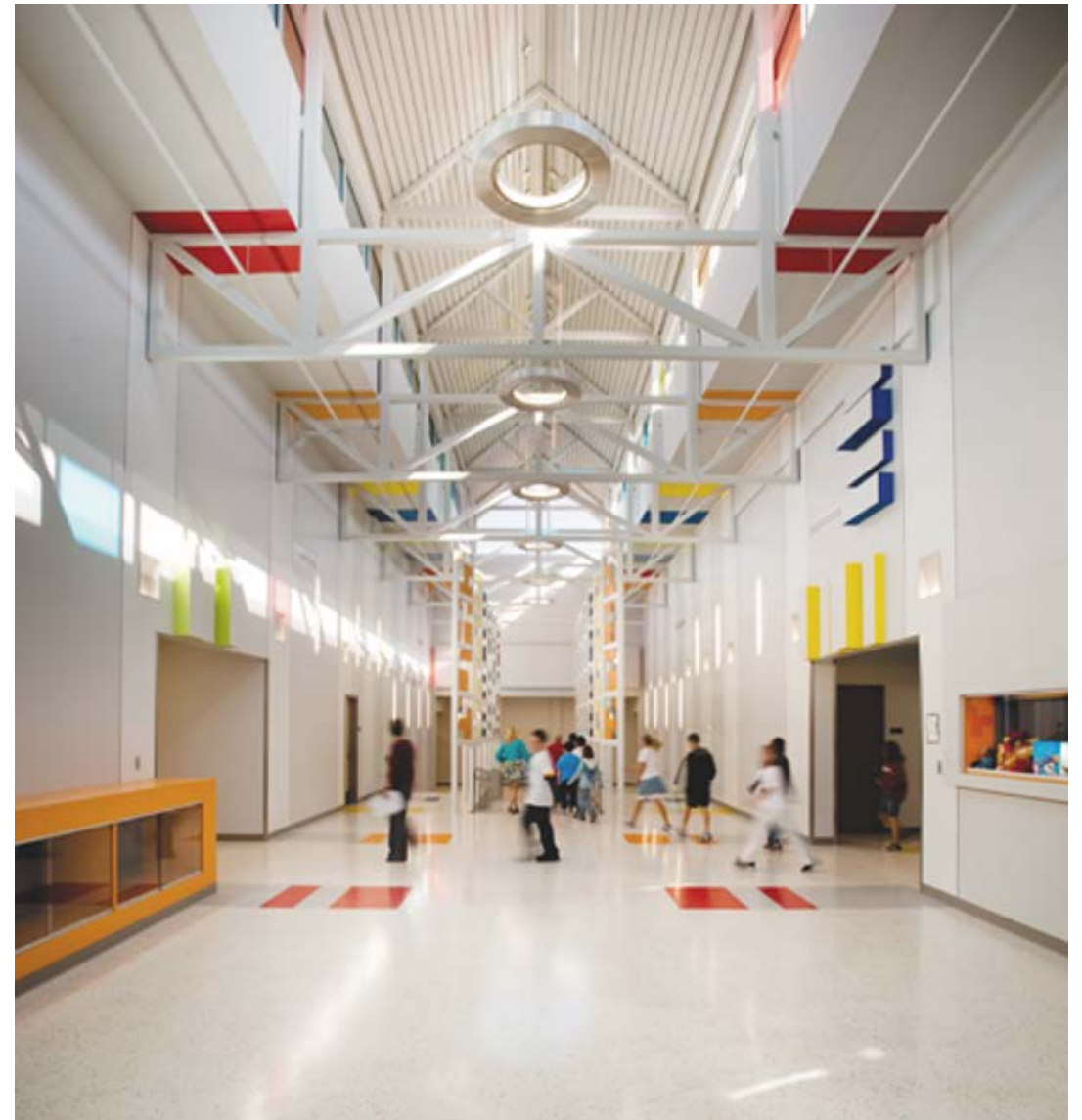
P6438



P6448



- P6426 (26") / 3838 – 7147 lm
- P6438 (38") / 3902 – 7571 lm
- P6448 (48") / 6838 – 11242 lm

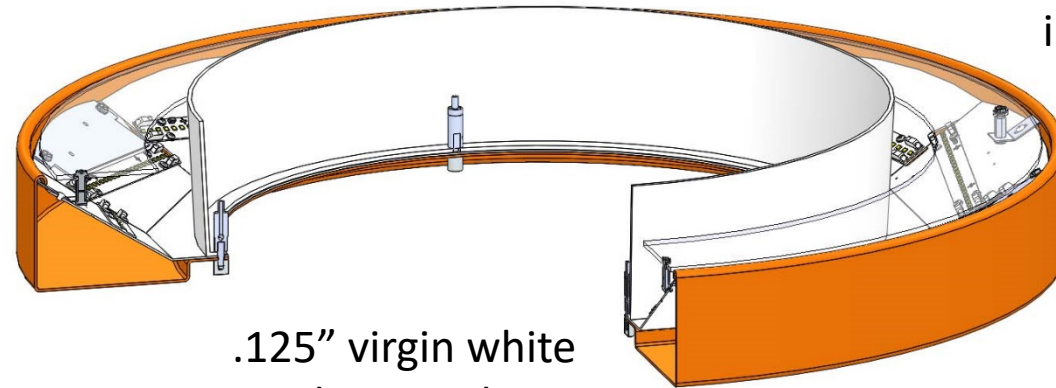


construction

5" dia. spun steel canopy with field adjustable stainless steel four-point vertical suspension or quadpod to single point

high lumen indirect light distribution

integral programmable drivers, field maintainable, universal input (120-277v), 0-10v controllable to 1% dimming.



internal dust shield

metal core LED boards mechanically held in place for easy maintenance

precision CNC spun .063" aluminum housing w/rolled top edge for added strength

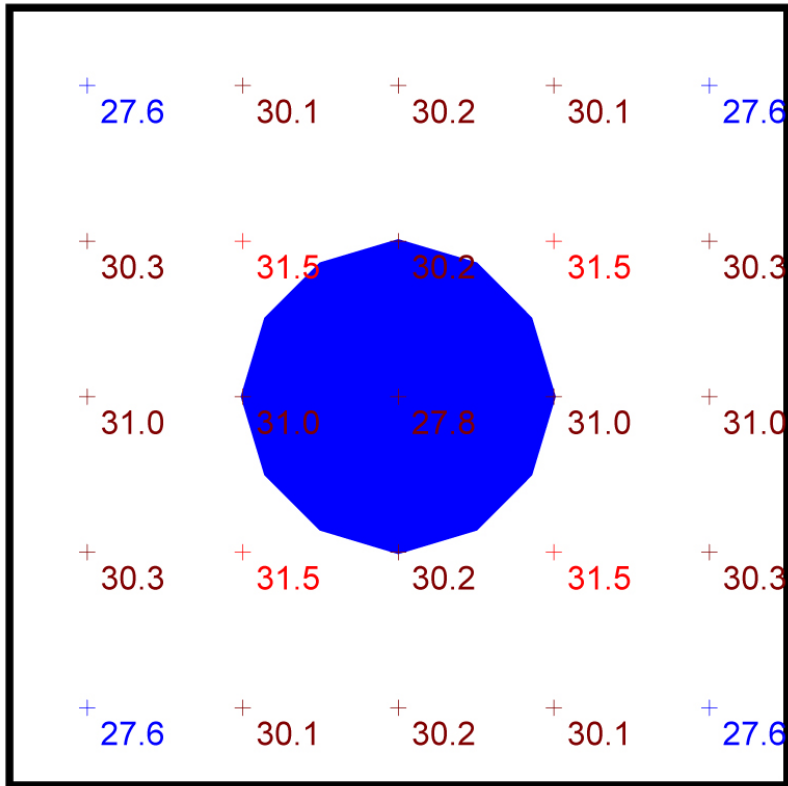
.125" virgin white acrylic inner lens

22-gauge aluminum reflector w/ powder coat painted high reflectance matte white finish

21 standard powder coat paint finishes + custom RAL colors

performance

Statistics						
Description	Symbol	Avg	Max	Min	Max/Min	Avg/Min
n.r.2oob	+	30.0 fc	31.5 fc	27.6 fc	1.1:1	1.1:1



Plan View
Scale - 1" = 2ft

- 10' x 10' x 10'H space
- 80/50/20 reflectances
- bottom of fixture at 8' aff
- FC readings at 2.5' aff
- layout conducted using P6448 HI lumen package (11242 delivered lumens)





www.impactltg.com

- spec sheet and color chart
- photometric files and BIM models
- built to order in Saint Louis, MO, USA
- 4-week lead time

n.r.200b™ 5-slider

